

SECURITY CLASSIFICATION: SECRET

Type 4J54-59

Packaged Magnetron

GENERAL CHARACTERISTICS

Electrical

Filament or Cathode Voltage Current	Cathode Type 3.2.6 Volts 3.25 amps
---	--

Frequency	Type	Min.	Max.
	4J54	6875	6775 Mc
	4J55	6775	6675 Mc
	4J56	6675	6575 Mc
	4J57	6575	6475 Mc
	4J58	6475	6375 Mc
	4J59	6375	6275 Mc

Typical Operation

Pulse Duration	1 uSec.
Repetition Rate	1000 cycles per Sec.
Anode Voltage	18.5 KV
Anode Current	30 amps
Peak Power Output	250 KW

Maximum Ratings

Peak Anode Voltage	20 KV
Peak Anode Current	35 amps
Anode Dissipation	450 Watts
Duty Cycle	.002
Anode Temperature	100° C

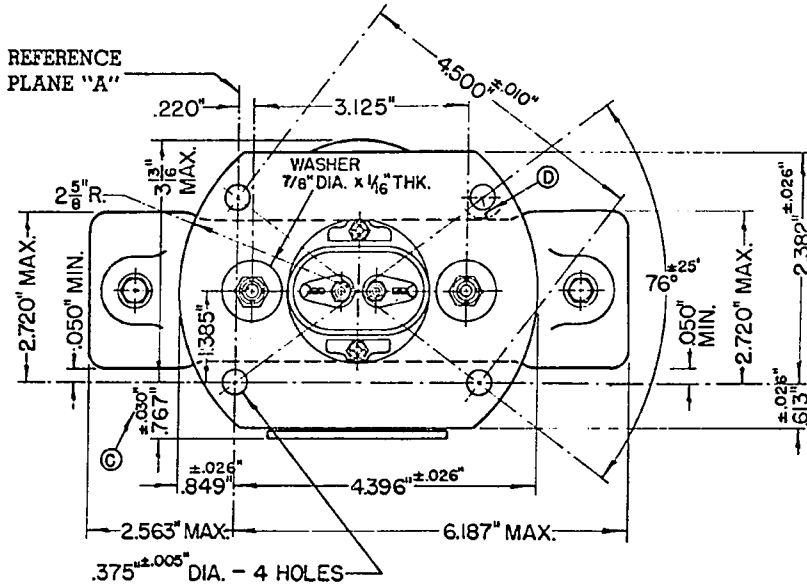
Tube shall not be operated longer than 5 uSec in any 100 uSec interval.

Sponsor: Raytheon Manufacturing Company - Waltham, Massachusetts

from RMA release # 464, Jan. 10, 1946

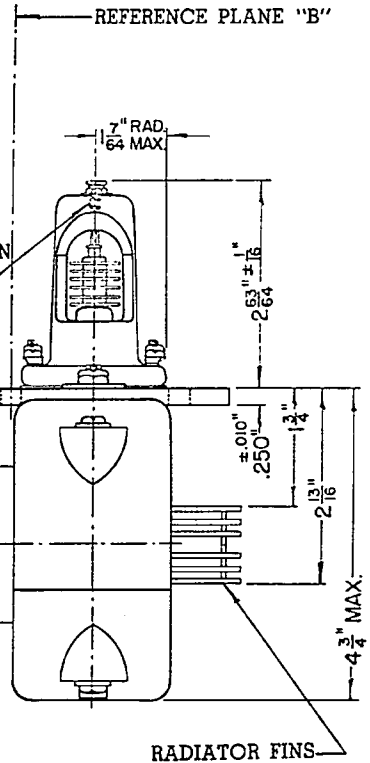
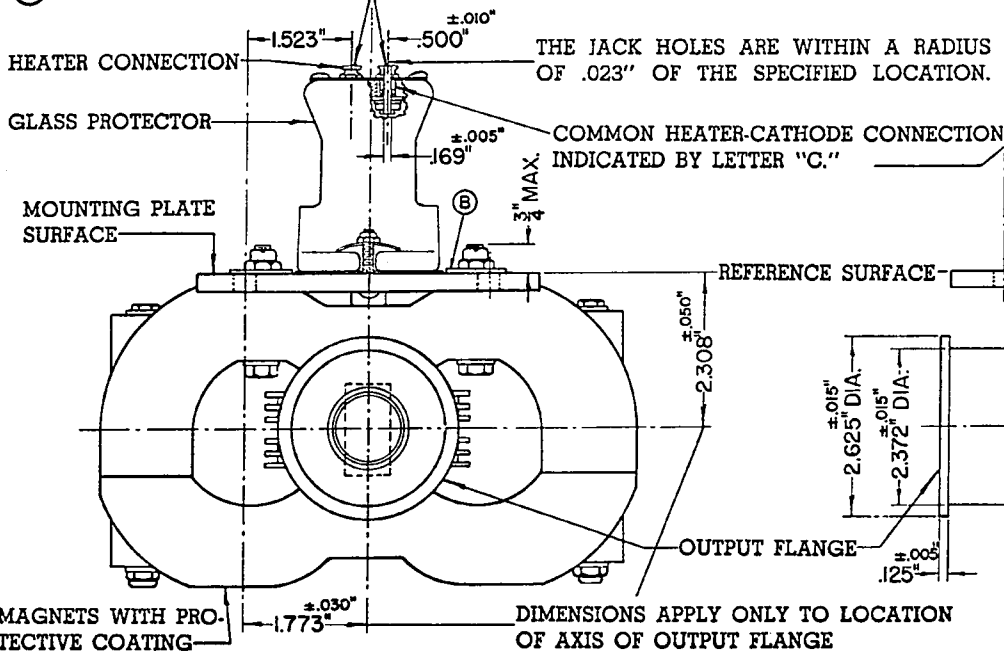
TECHNICAL INFORMATION
PACKAGE MAGNETRON OSCILLATOR

OUTLINE DRAWING



- (A) TWO $\frac{5}{16}$ " LOCKING TYPE PIN JACKS, $\frac{19}{32}$ " IN LENGTH. THEIR HOLES ARE $.169" \pm .005$ DIA. AND WILL FIT STANDARD G.R. NO. 274 BANANA PINS.
- (B) STOP NUTS AND WASHERS LIE WITHIN A 1.250" DIA. CIRCLE CENTERED AS SHOWN.
- (C) TOLERANCE INCLUDES ANGULAR AND LATERAL DEVIATIONS OF THE OUTPUT FLANGE SURFACE.
- (D) CLEARANCE BETWEEN AXIS OF PLATE HOLES AND SURFACE OF MAGNET COATING IS .312"

(A) LOCKING TYPE PIN JACKS



RAYTHEON MANUFACTURING COMPANY WALTHAM, MASSACHUSETTS
POWER TUBE DIVISION